

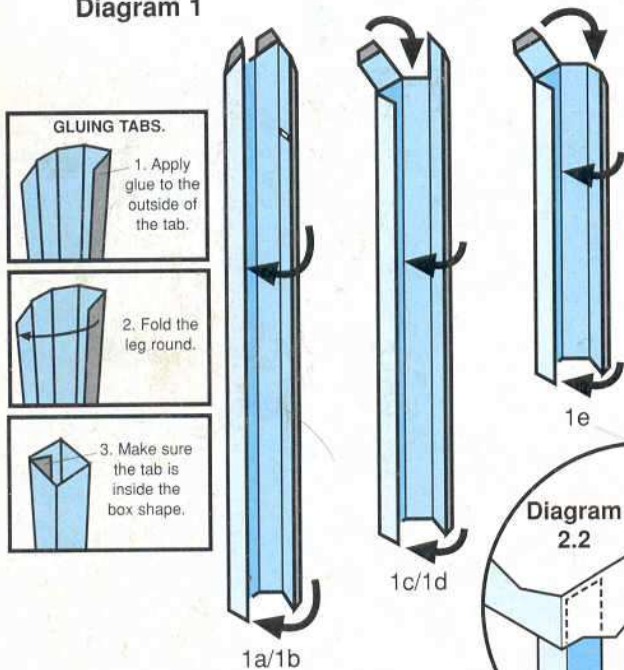
ALL ALONG THE

Wow! Not only is there a huge feature about Gorkamorka, a step-by-step guide to collecting and painting an Ork Mob *and* a Game Report between Andy C and Gav in this issue, but we've also given you a **bonus building as well!** The watchtower is a great piece of tabletop terrain and it's simple to assemble. As the tower is printed on pre-punched card, the only equipment you'll need is some Citadel superglue. Just be careful that you don't get glue on your fingers: superglue bonds really fast and very strong! You can see the completed watchtower in *I Wuz 'Ere Furst*, the Gorkamorka Game Report.

1. THE TOWER LEGS

As you can see in diagram 1, fold each of the tower legs (1a, 1b, 1c, 1d and 1e) round to make a rectangular tube. Apply a little glue to the tabs and fold the tower legs together (If you want, use some paper clips to hold them together until they are dry). Fold in the ends (1c, 1d and 1e) and glue them into position.

Diagram 1

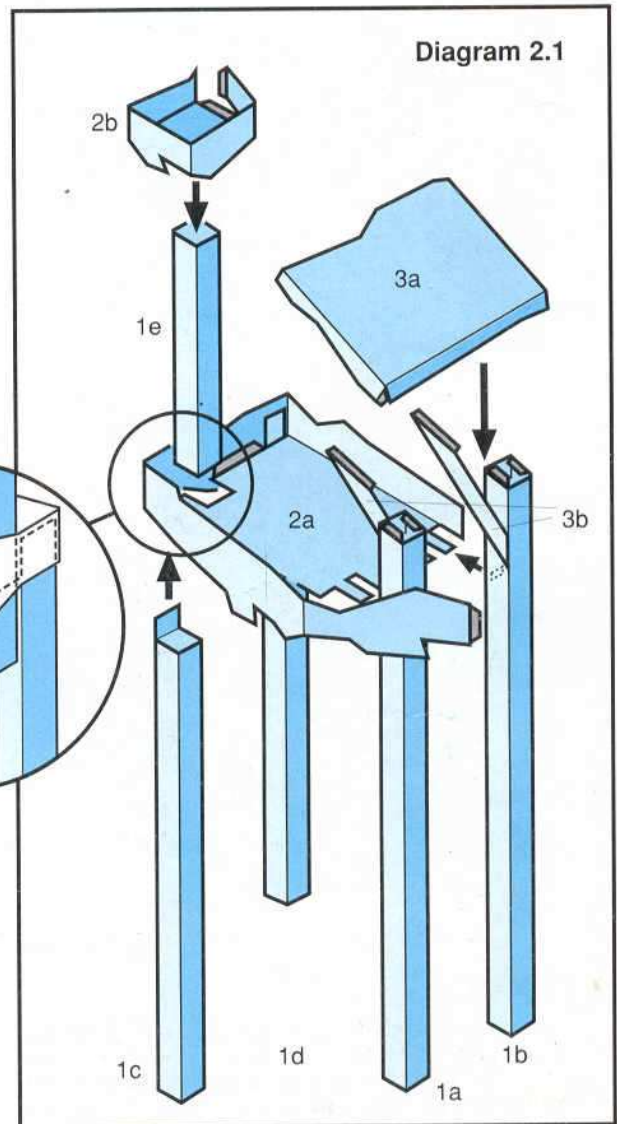


3. ROOF CONSTRUCTION

Fold down the edges of the roof (3a) and glue into position. Glue roof onto the tower legs as shown in diagram 2.1.

Fold the tabs on the roof supports (3b) and glue into position as illustrated.

Diagram 2.1



2. TOWER CONSTRUCTION

Push the tower legs (1a and 1b) into the locating tabs on the platform (2a). Fold round the platform walls, gluing as shown ensuring the tabs are on the inside. Slot the tower legs (1c) and (1d) into the gaps between the wall and the floor of the platform as shown in diagram 2.2.

Slot tower leg (1e) into the gap provided in the base of the platform and glue into position as illustrated in diagram 2.2.

Fold the crow's nest (2b) as illustrated in diagram 2.1 ensuring the tabs are glued on the inside. Glue the crow's nest to the top of tower leg (1e).

WATCHTOWER

FINAL STAGE

Finish the tower you need to add the support struts as shown in diagram 3. These can be positioned more or less as you like. Bear in mind, however, that the struts provide support to the tower itself so we've used two or three on each side, well spread out from the top to the bottom of the tower.

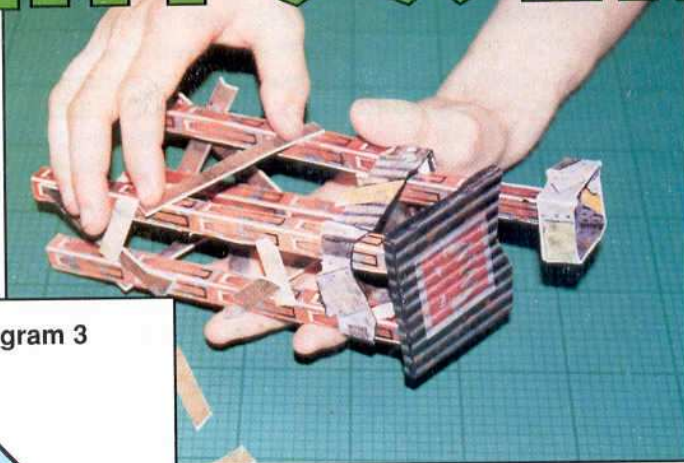
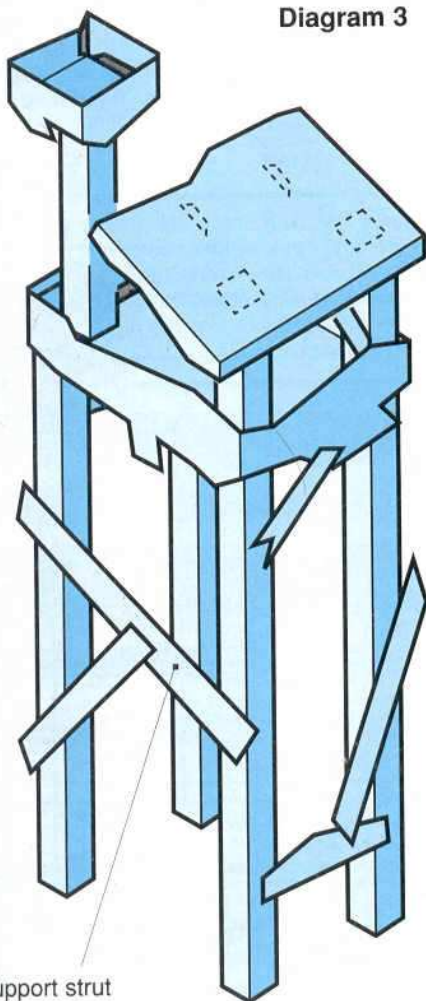


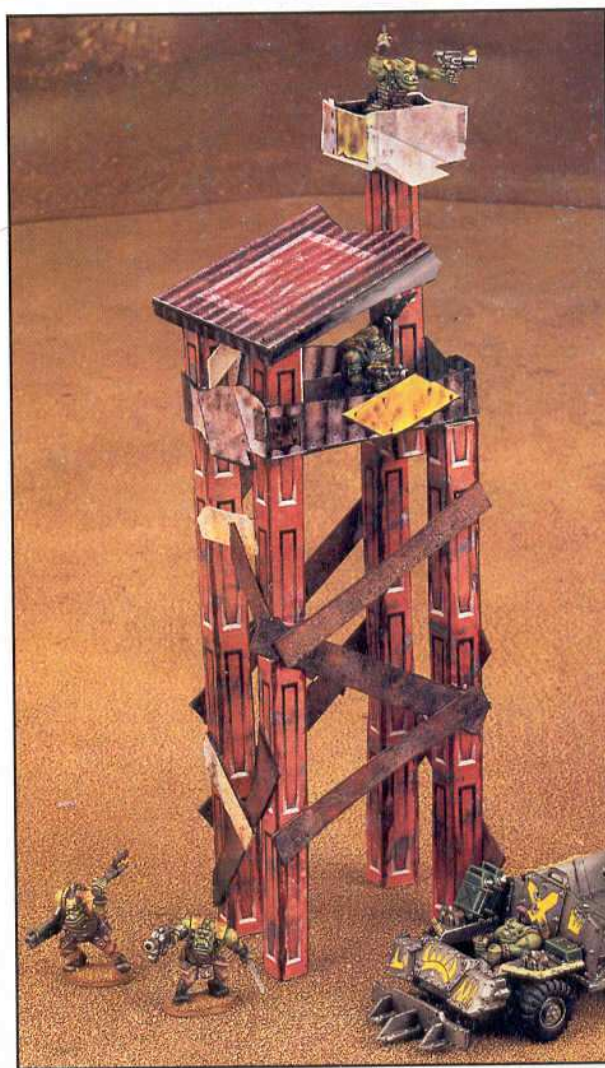
Diagram 3



Support strut

5. PAINTING

You'll notice that after folding all the card and gluing the watchtower together there is some bare card showing. If you want to really finish off your tower, paint the edges with an appropriate colour Citadel paint and also stick it to a sturdy card base.

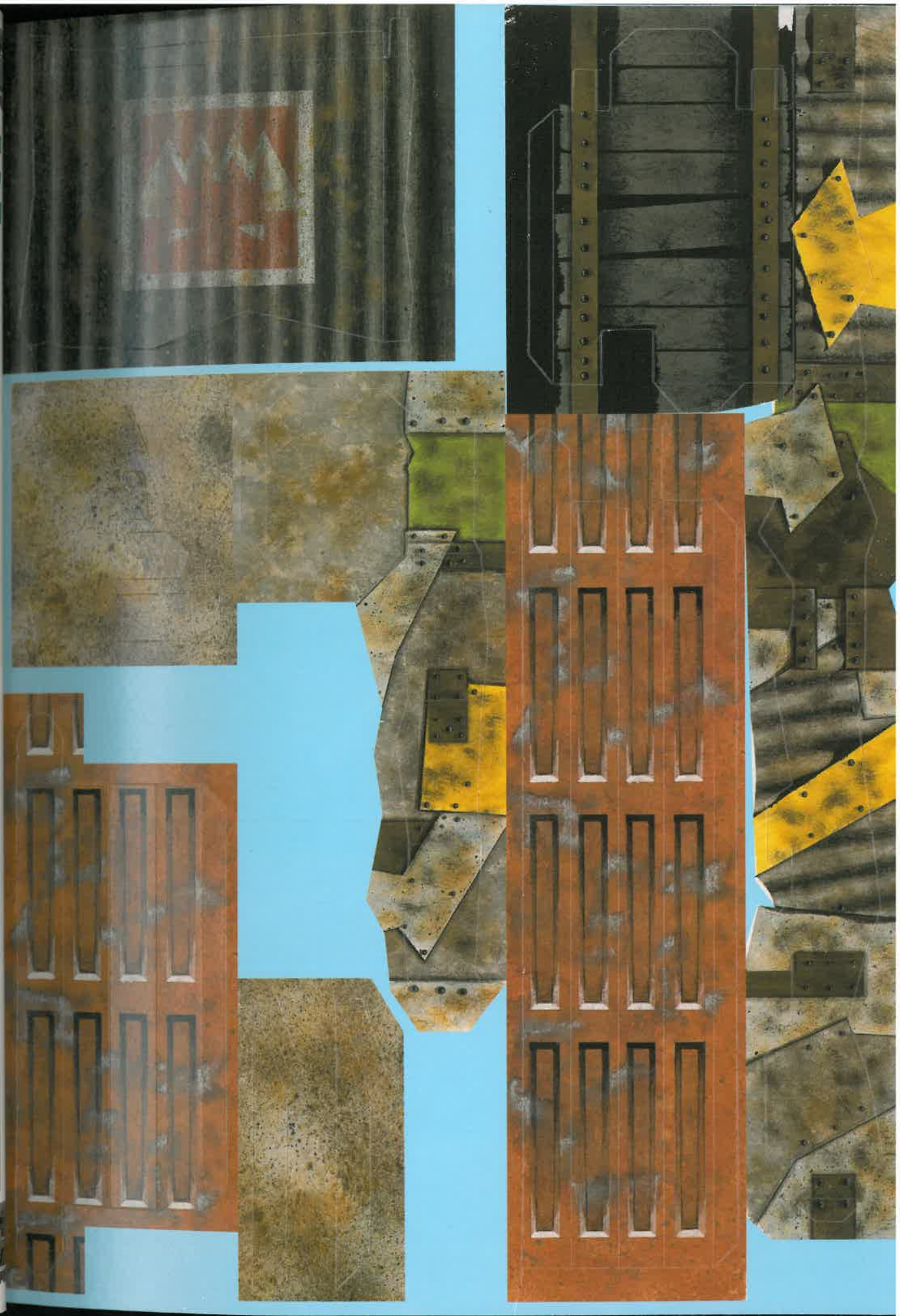


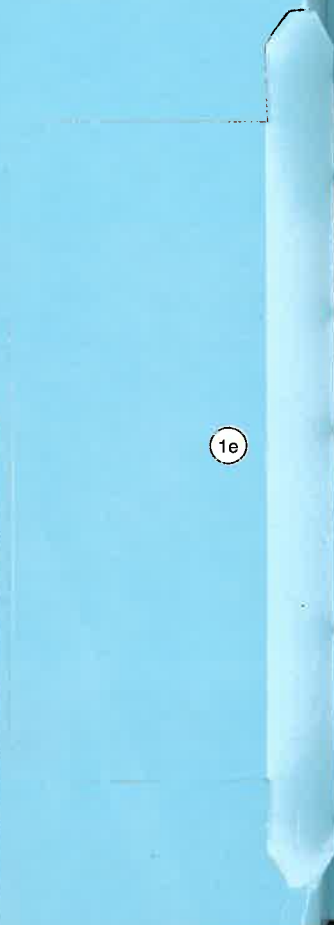
HE

g and painting
i you a **bonus**
emble. As the
rglue. Just be
ou can see the

lue into position,
agram 2.1.
re into position as

agram 2.1







1a

1b

1e

1c



