

AIR NEW ZEALAND A320 MARK I

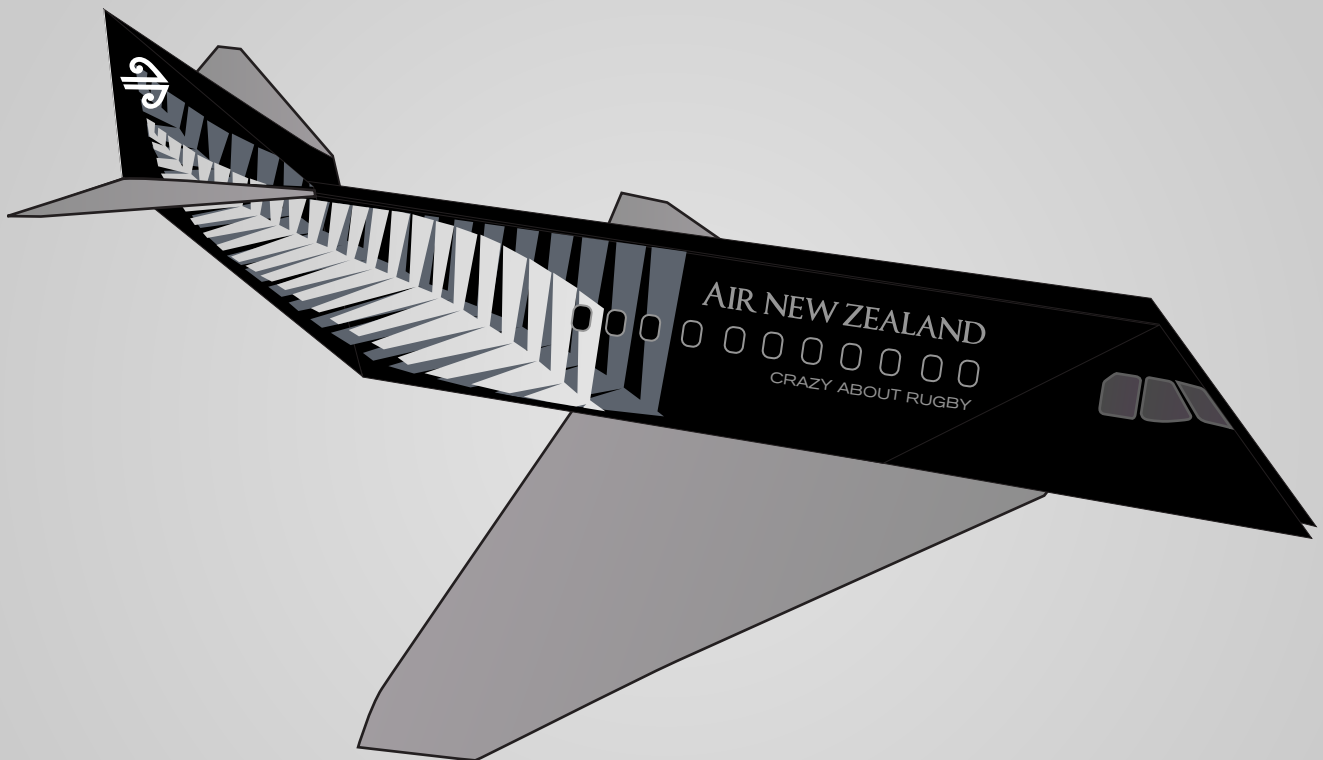
2011 model

Construction and Service Manual

74535 (6473)

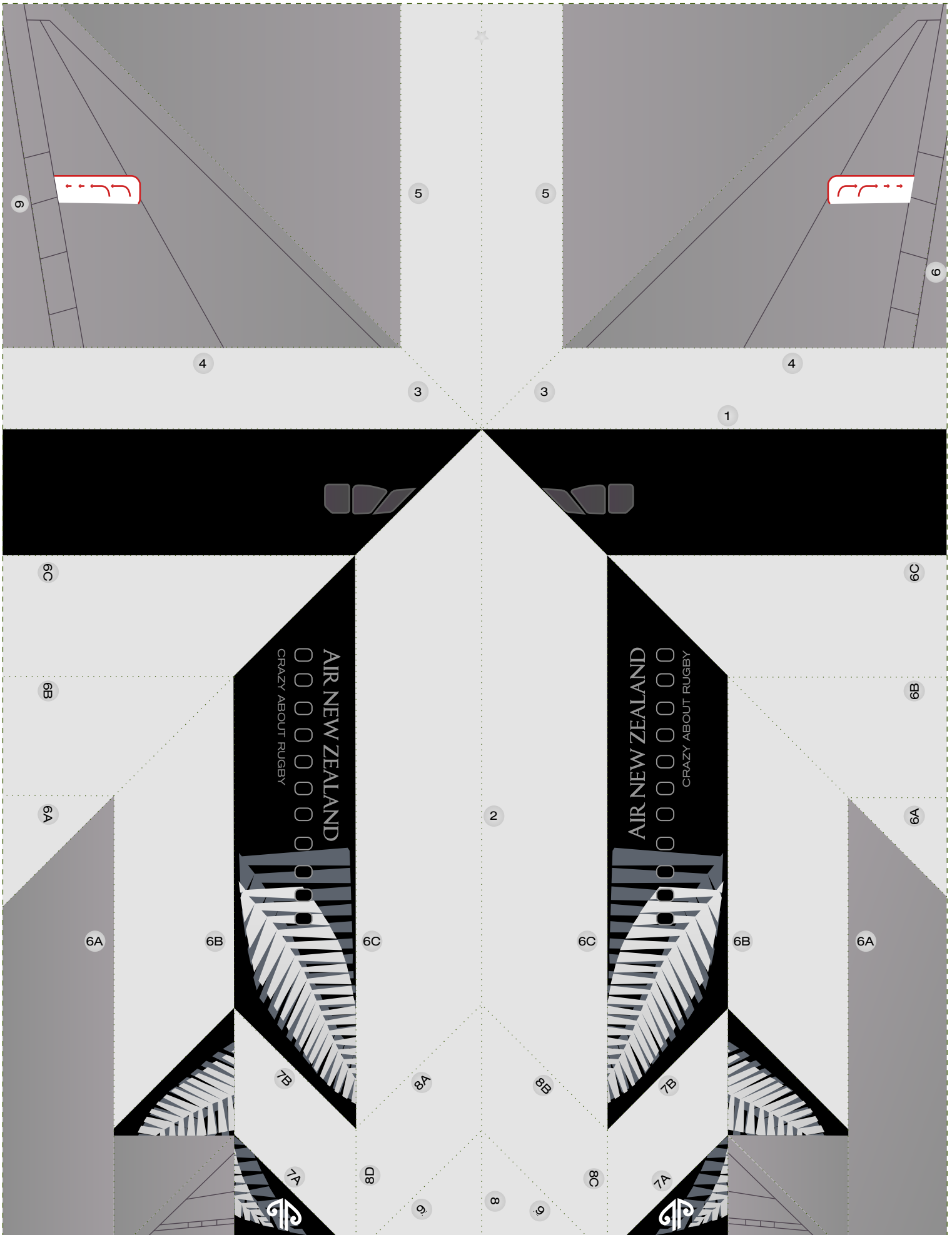


THE
BOOK



EVERYTHING YOU NEED
TO MAKE AN A320

✂ Cut along dashed line

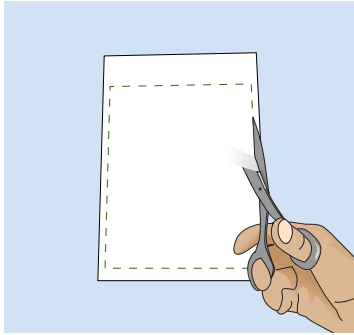


1a. Introduction

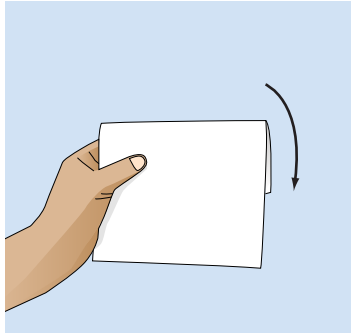
Congratulations on your choice of the Air New Zealand all black A320 as your personal ornamental paper agent. With careful folding you can look forward to many decades of mantelpiece decoration and friend admiration.

Folding tip: a mountain fold is a fold away from you so the crease points upwards to form a mountain and is represented by a dotted and dashed line (- - - - -); a valley fold is the opposite and is represented by a simple dashed line (- - - - -).

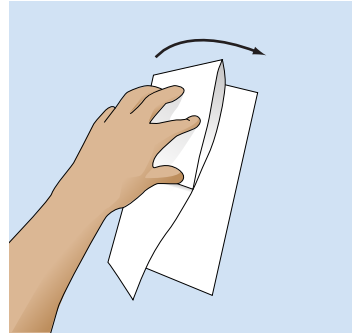
1b. Paper Assembly



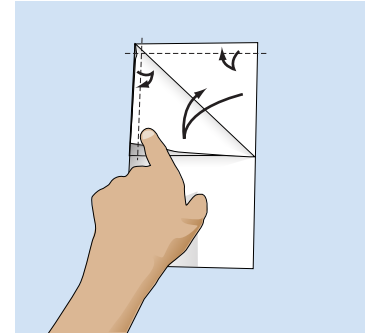
1. Cut around the dashed line.



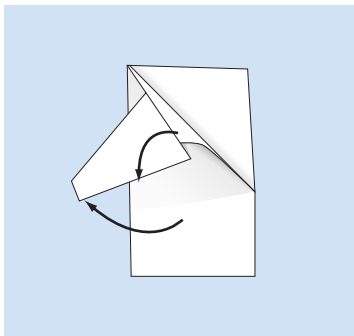
2. With the patterned side face up, mountain fold along line 1.



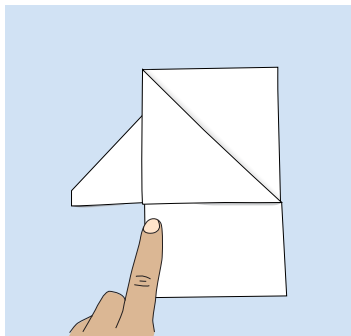
3. Valley fold along line 2.



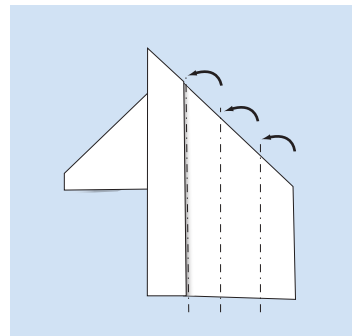
4. Crease the top flap corner along line 3 and unfold. Repeat for lines 4 and 5.



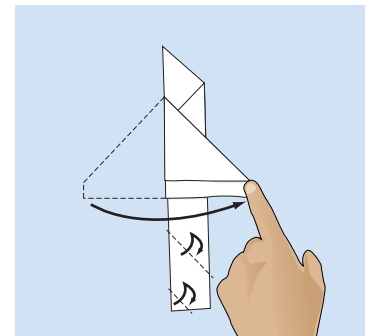
5. Make a mountain fold with the very top flap along line 3 and valley fold along lines 4 and 5. Make a valley fold with the rest of the top flap and bring the corner down to the opposite edge. See step 6 for result.



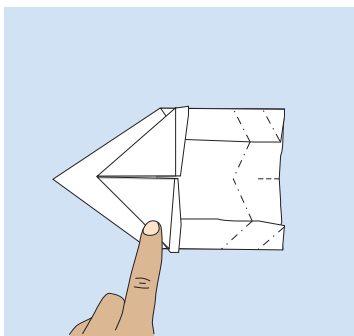
6. This is how the paper should look after step 5. Gently press down from the top. Repeat steps 4 and 5 on the other side.



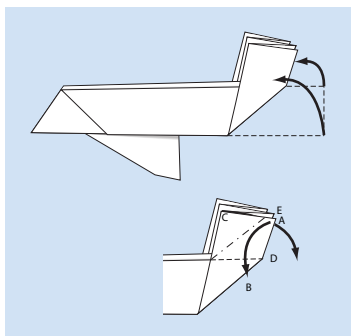
7. On the wings, make a mountain fold along line 6 and tuck. On the fuselage section, valley fold along line 6A to line 6B. Fold along line 6B to line 6C. Fold along line 6C. Repeat on other side.



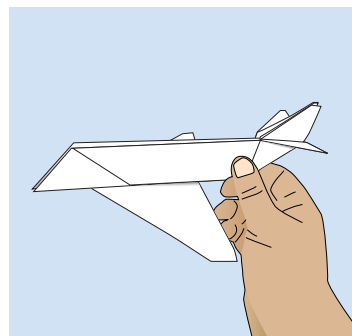
8. Fold along line 7A crease and unfold. Do the same along line 7B. Fold Wing up against fuselage. Repeat on other side.



9. Partially unfold the fuselage and turn over so it looks like the illustration. Two outside reverse folds and one inside reverse fold are needed to make the tail. Make a valley fold along line 8. Mountain fold along 7B, 8A, 8B, 8C and 8D.



10. This is the result of step 9. Now make a stabiliser by using a squash fold. Push C between A and E toward D. Bring A to B to form a stabiliser.



11. Repeat step 10 on the opposite side. Now change the centre square fin to a triangle shape by folding across line 9 and tuck tip F into the pocket. You're done!