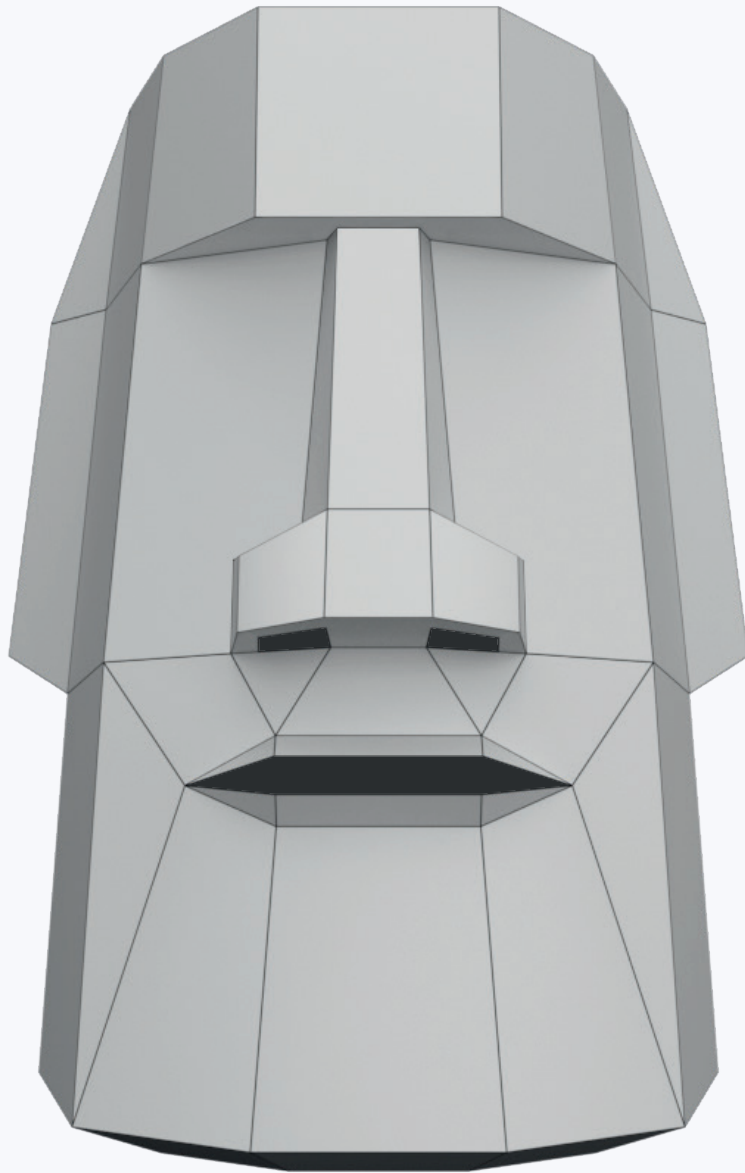




HEKREATIONS®



MOAI MASK



HEKREATIONS®



PRINTING. Our masks have been designed to fit + or - the head of an average adult, and must be printed in the current size, on an A4 or on a US card, with a minimum weight of 150 grams (so that it's resistant when assembled), on one side per page. Do not modify the dimensions of the PDF to fit the entire page in the printing options, make sure that the scale is 100%. On the next page there's a red line that measures 10 cm, check that it measures the same to ensure that you have printed the templates correctly.

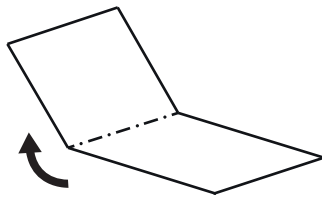


CUT. Scissors and a cutter will be your best allies in this step. We usually use scissors to trim the folio templates, following the continuous lines from outside, and use the cutter for the more complicated parts where there is not much room available and it's difficult to access, such as lines with more abrupt turns, internal holes of the templates, etc.

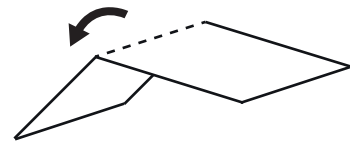


BEND. A ruler, a set square or carpenter's square will do the job, as long as it is not too thick. You must bear in mind that:

The folds with dashed lines and points (- · - · - · -) fold inwards.



The folds with dashed lines (- - - - -) fold outwards.



PASTE. The glue stick, i.e. Pritt, is ideal for this step. Building the mask is as easy as sticking numbers by pairs together (1-1, 14-14, 27-27...), following the pieces (classified with the #) in ascending order: #1, #2, #3, #4...



PERSONALIZE. The most creative step is in your hands! It's all up to you! From leaving the mask as a template to painting it with spray paint and giving it your own personal touch.



Follow us on Instagram ([@hekreations](https://www.instagram.com/hekreations)) so you don't miss any upcoming releases!

Share your photos with our designs using the hashtag [#hekreations](https://www.instagram.com/hashtag/hekreations) ❤️



For every mask you buy, we plant a tree.

More information on - hekreations.com/our-forest

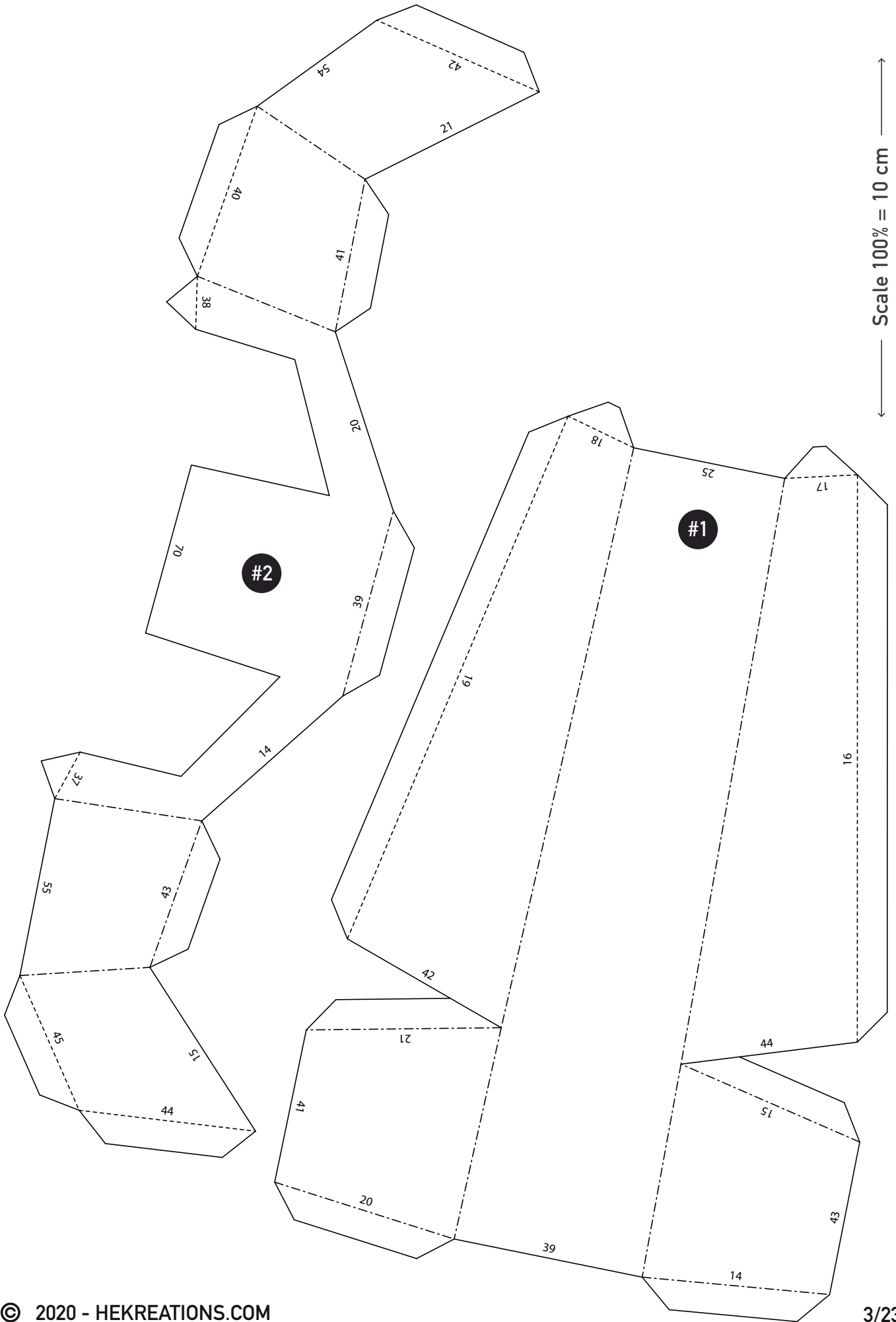


Do you have any questions? - hekreations.com/faq

Can't find the answer you were looking for? Let us know! - hekreations.com/contact



Our designs are protected by copyright and are intended for personal use only. You can build as many masks as you want with this PDF, but please do not share or steal it, there's a lot of hard work involved in each one of our designs.



Scale 100% = 10 cm

