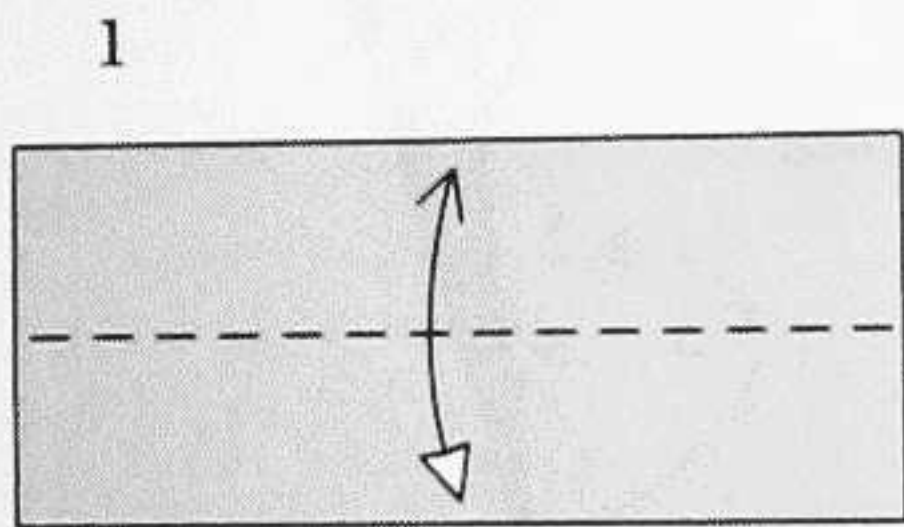
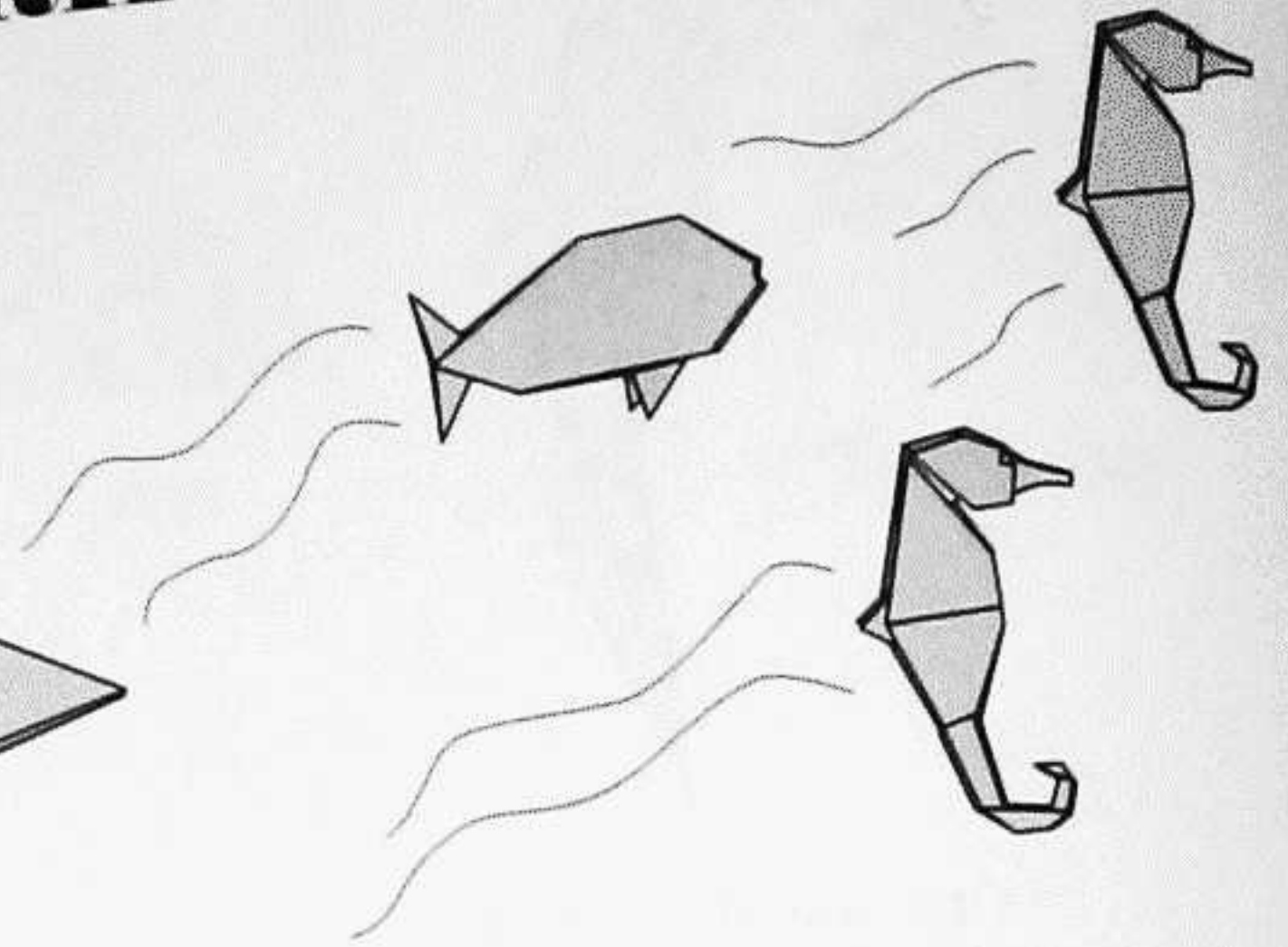
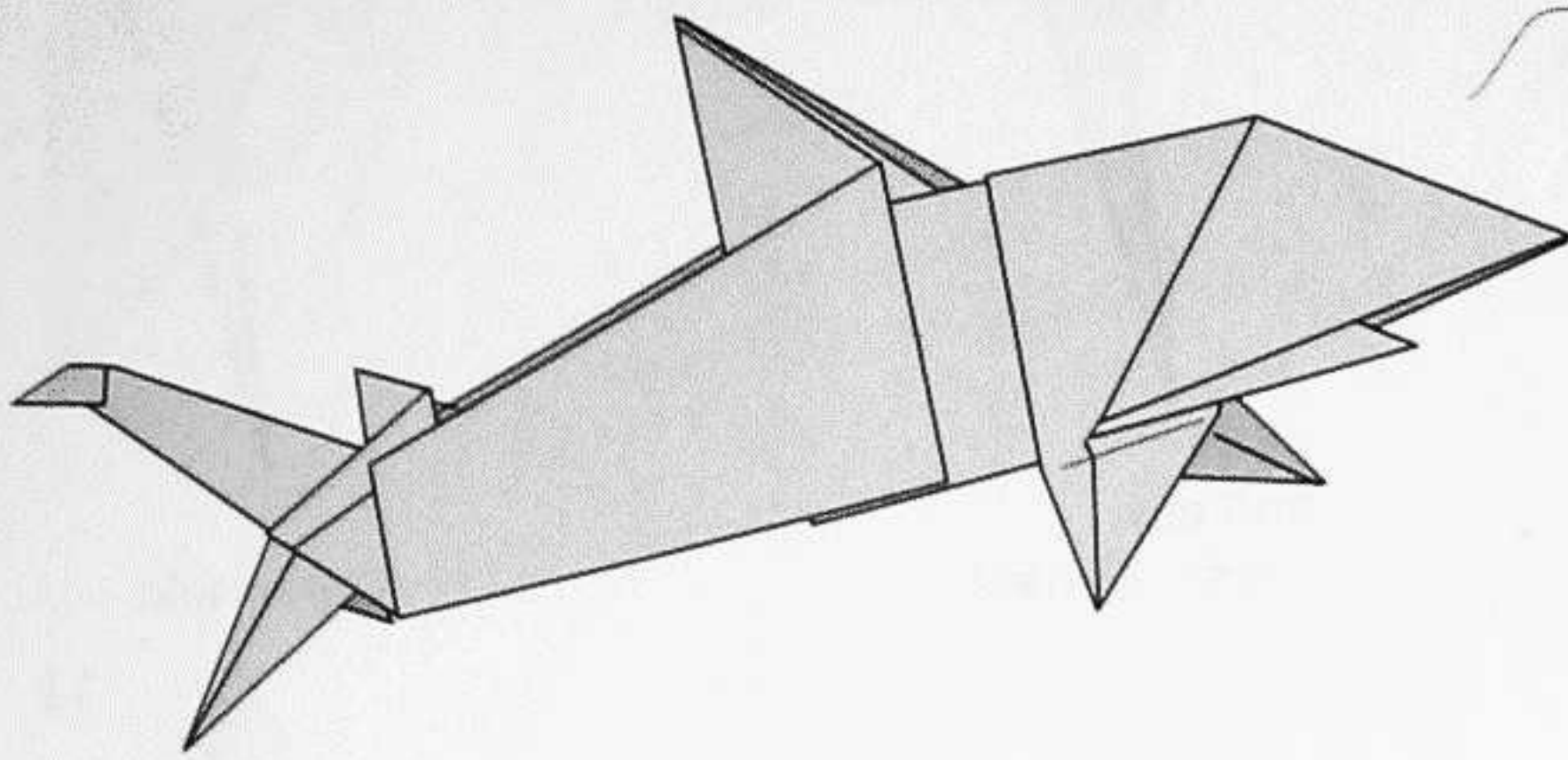
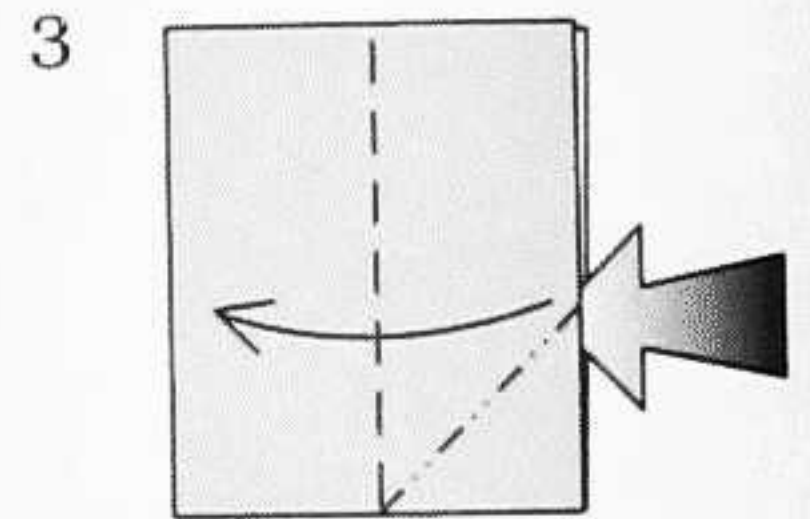
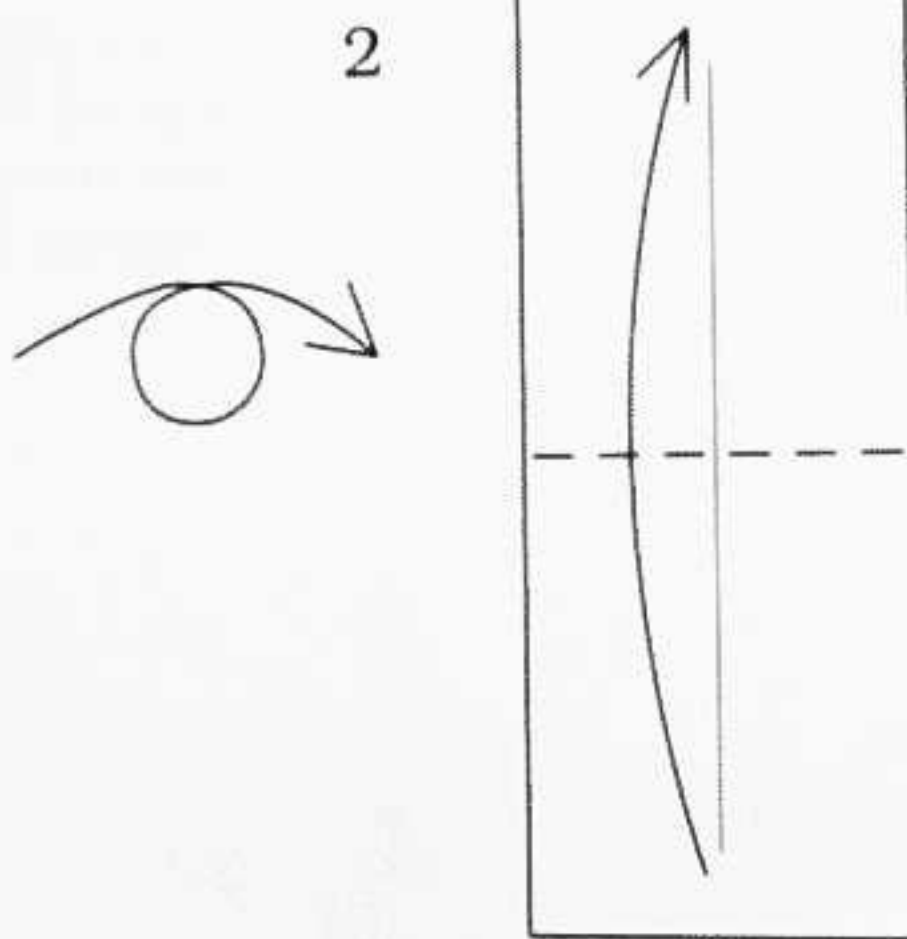


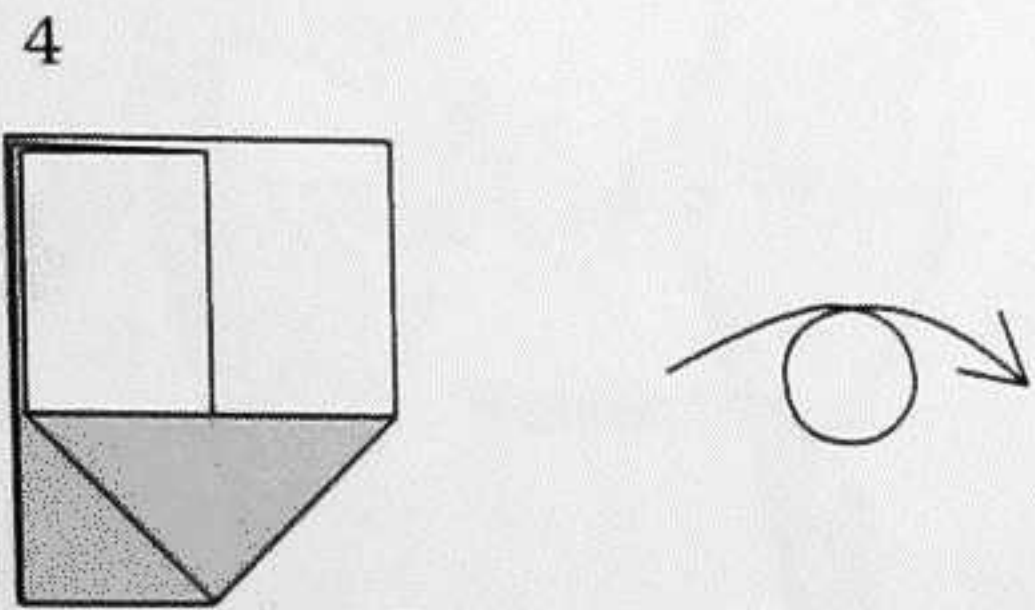
# SHARK



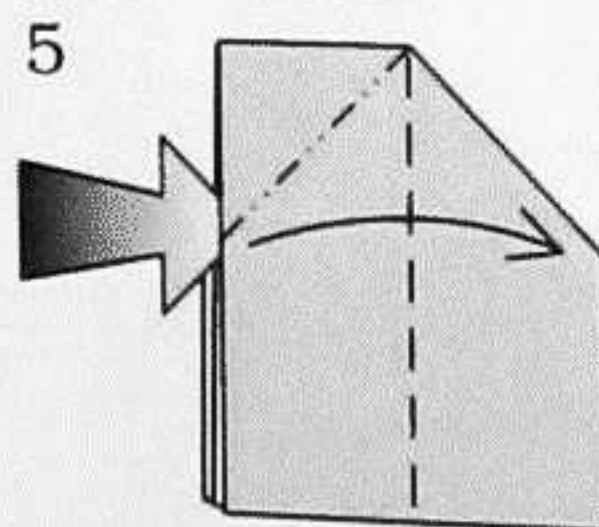
Fold and unfold.



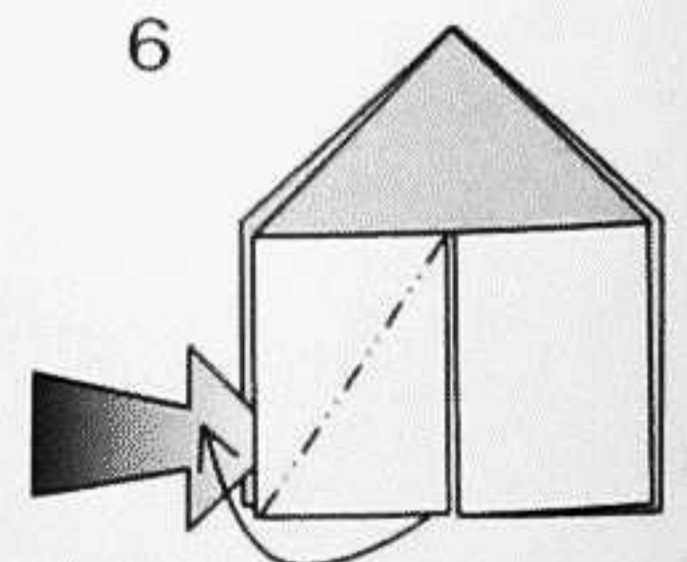
Squash-fold.



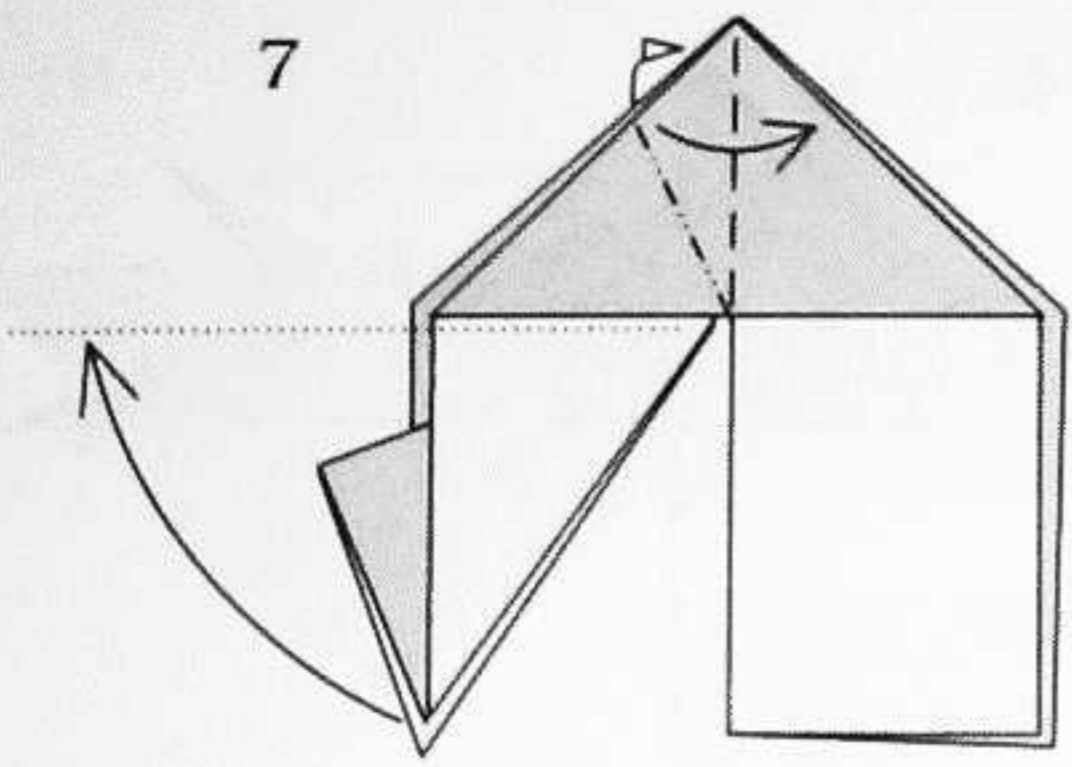
Turn over and rotate.



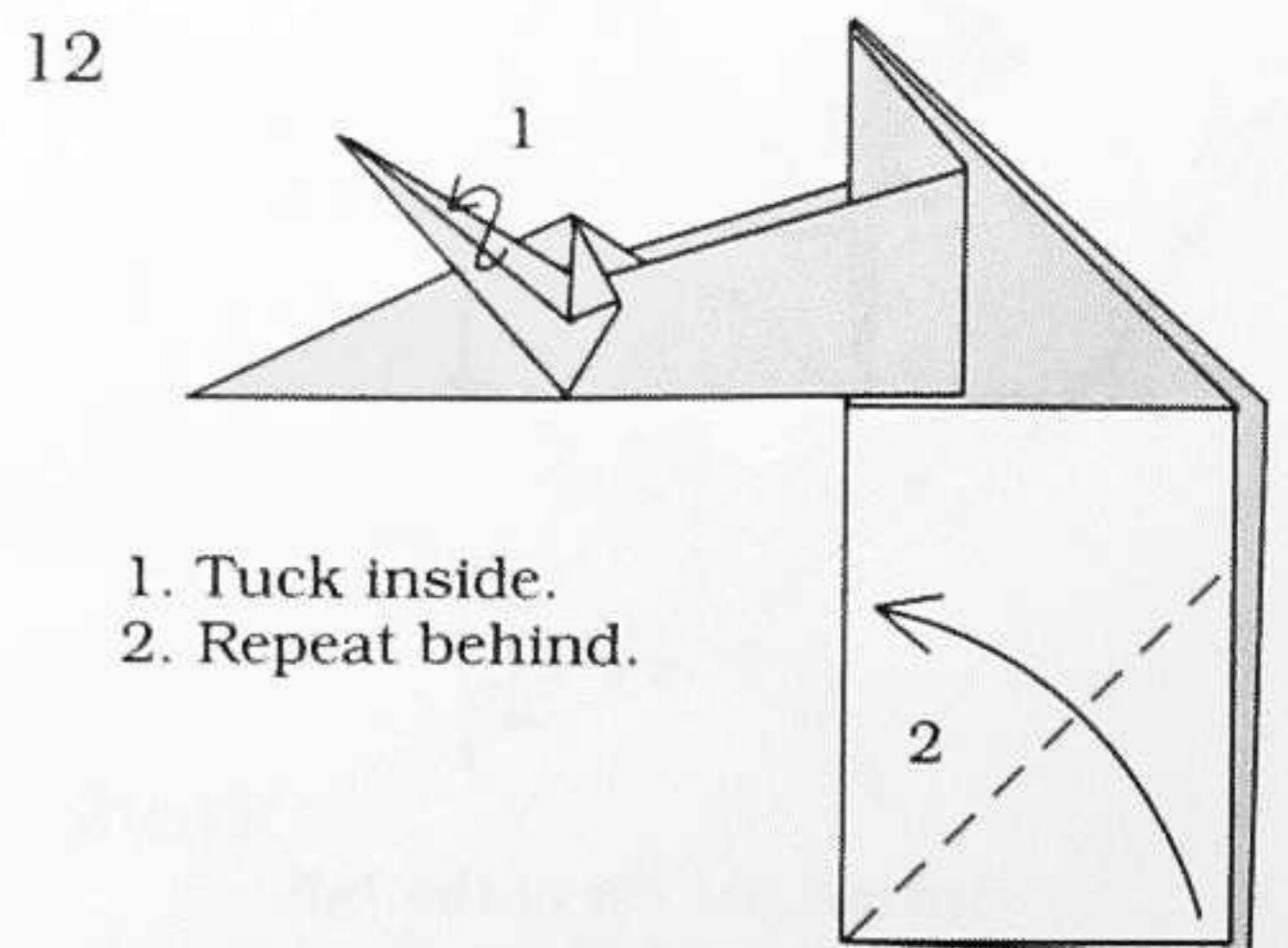
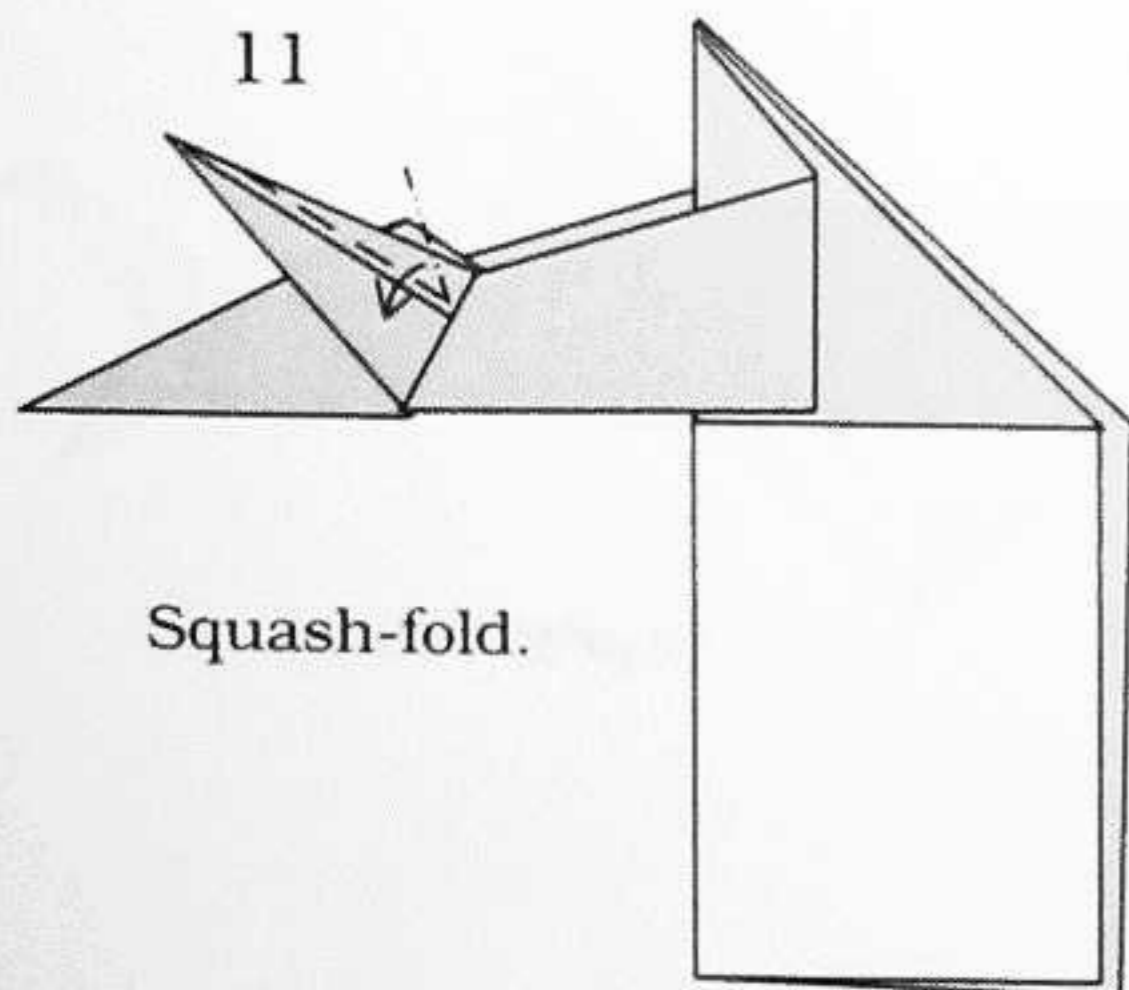
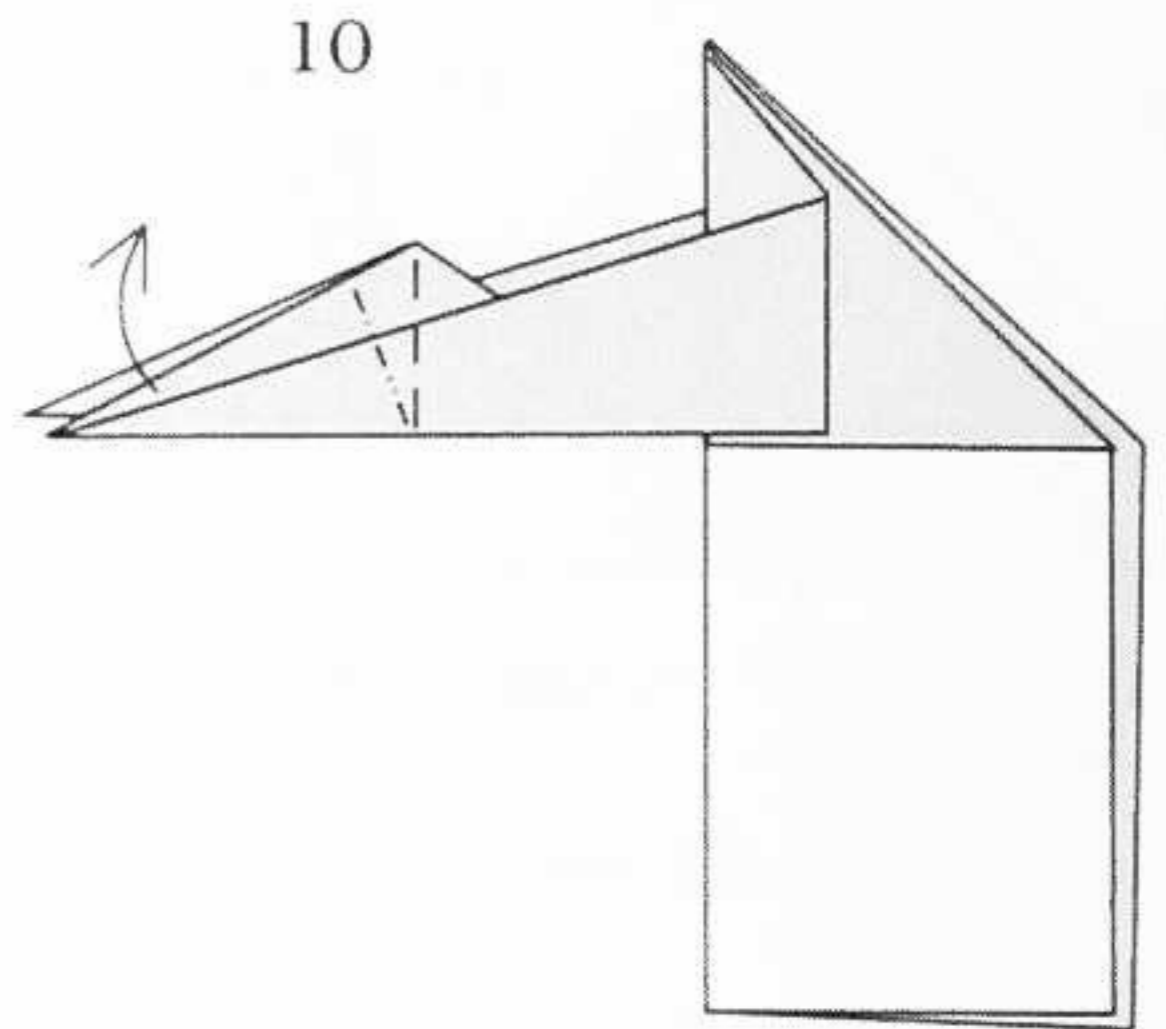
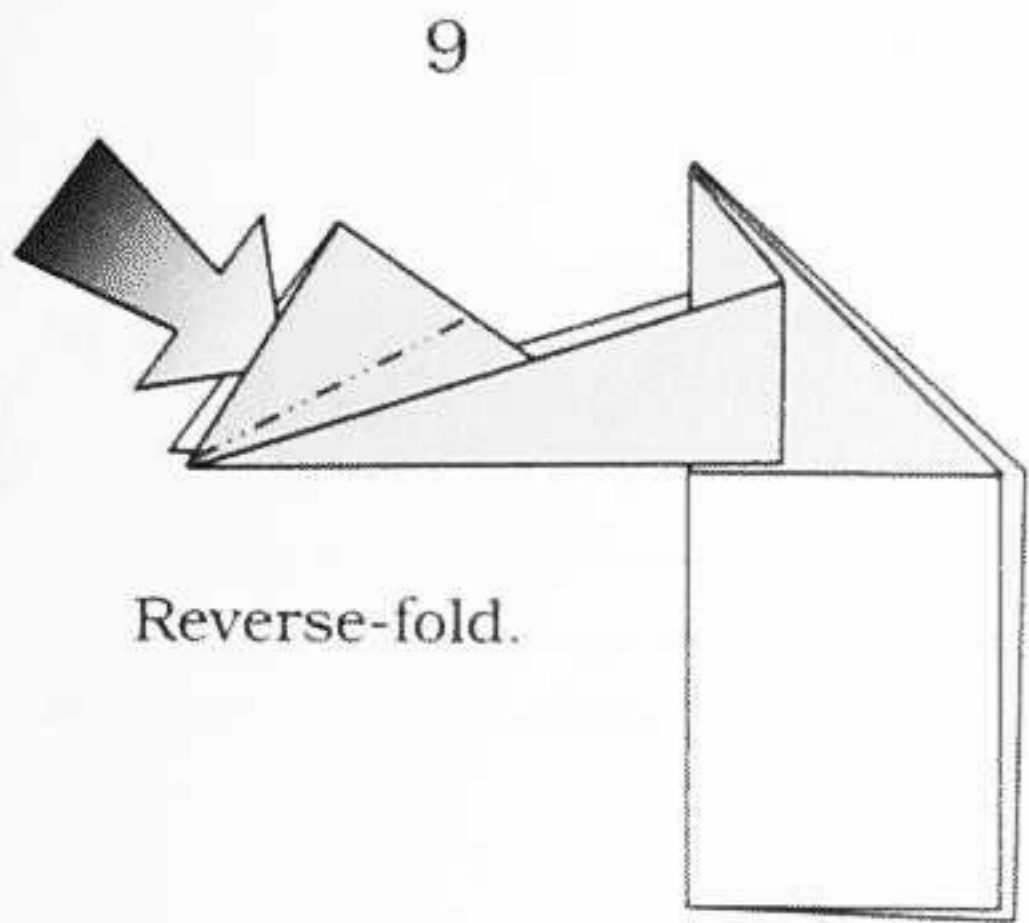
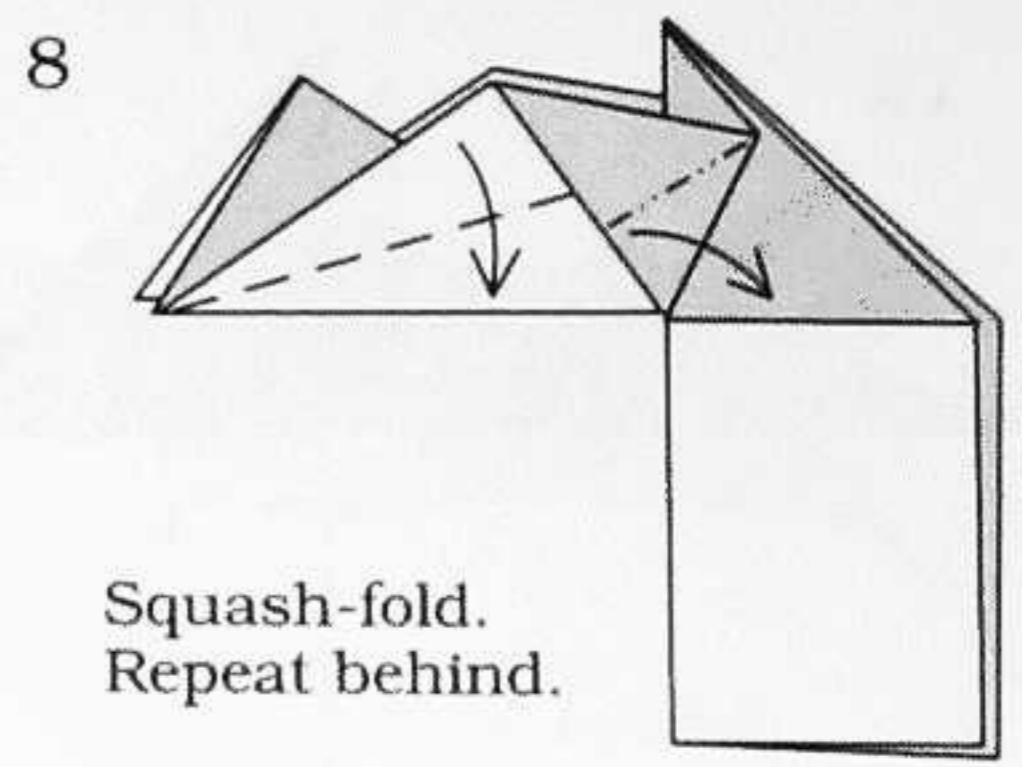
Squash-fold.

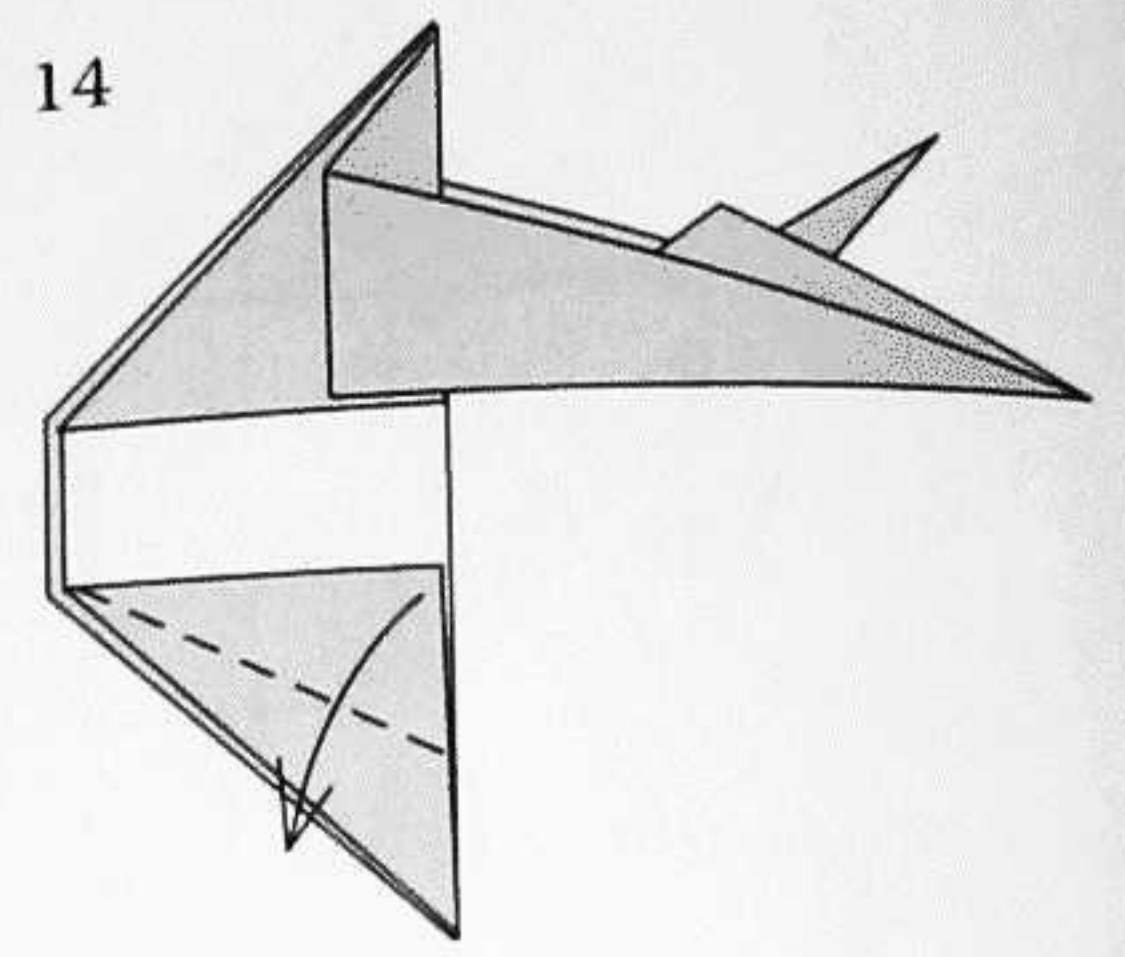
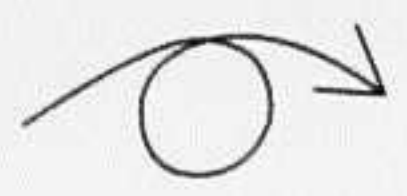
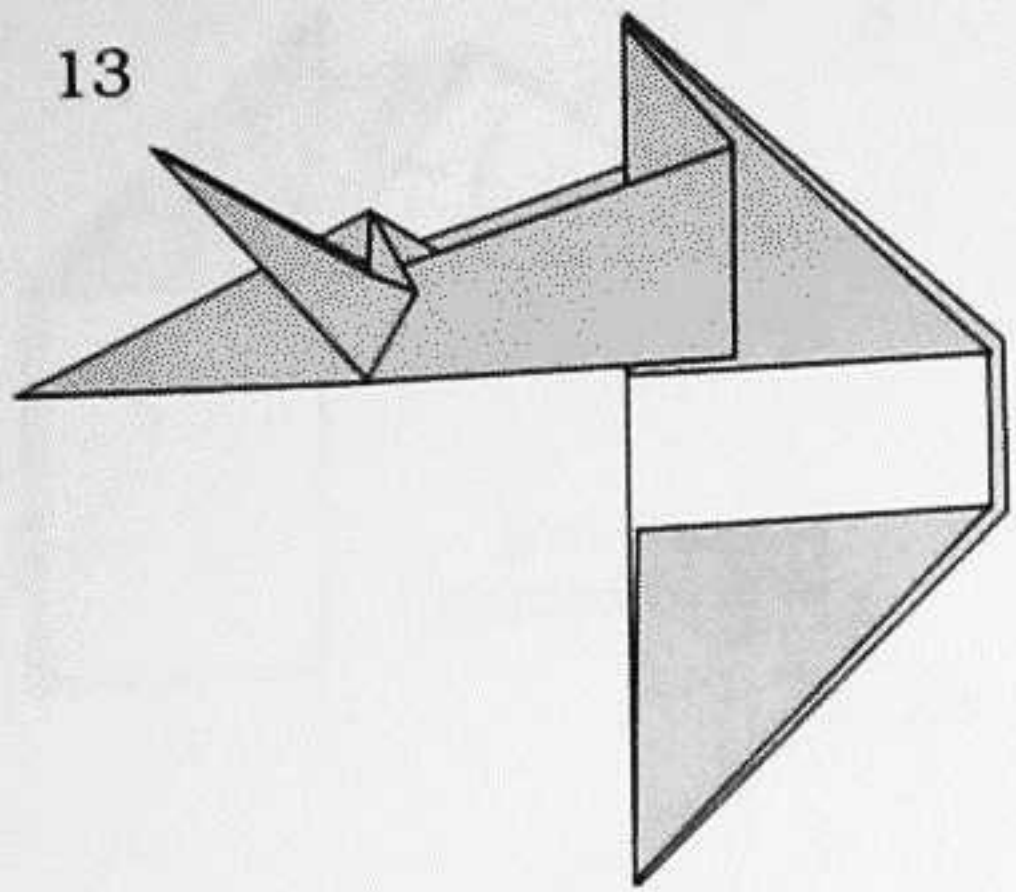


Reverse-fold.

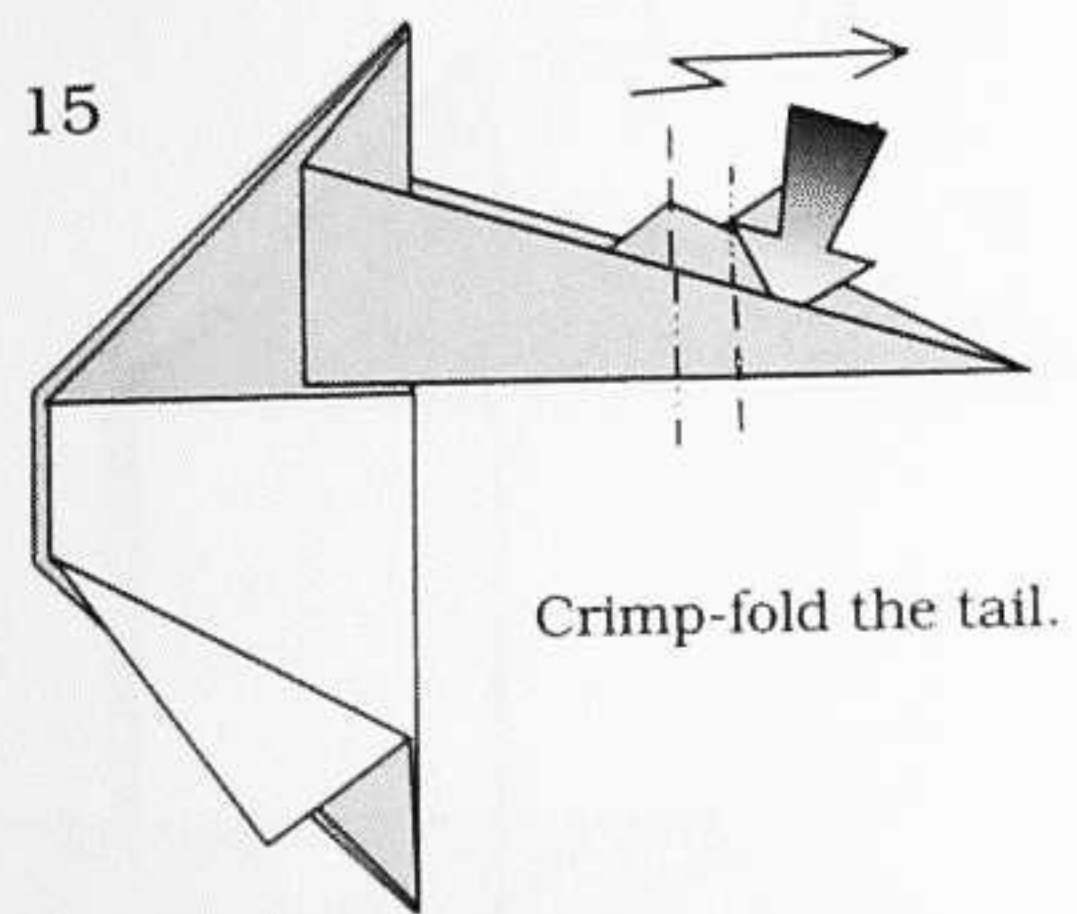


Crimp-fold to the dotted line.

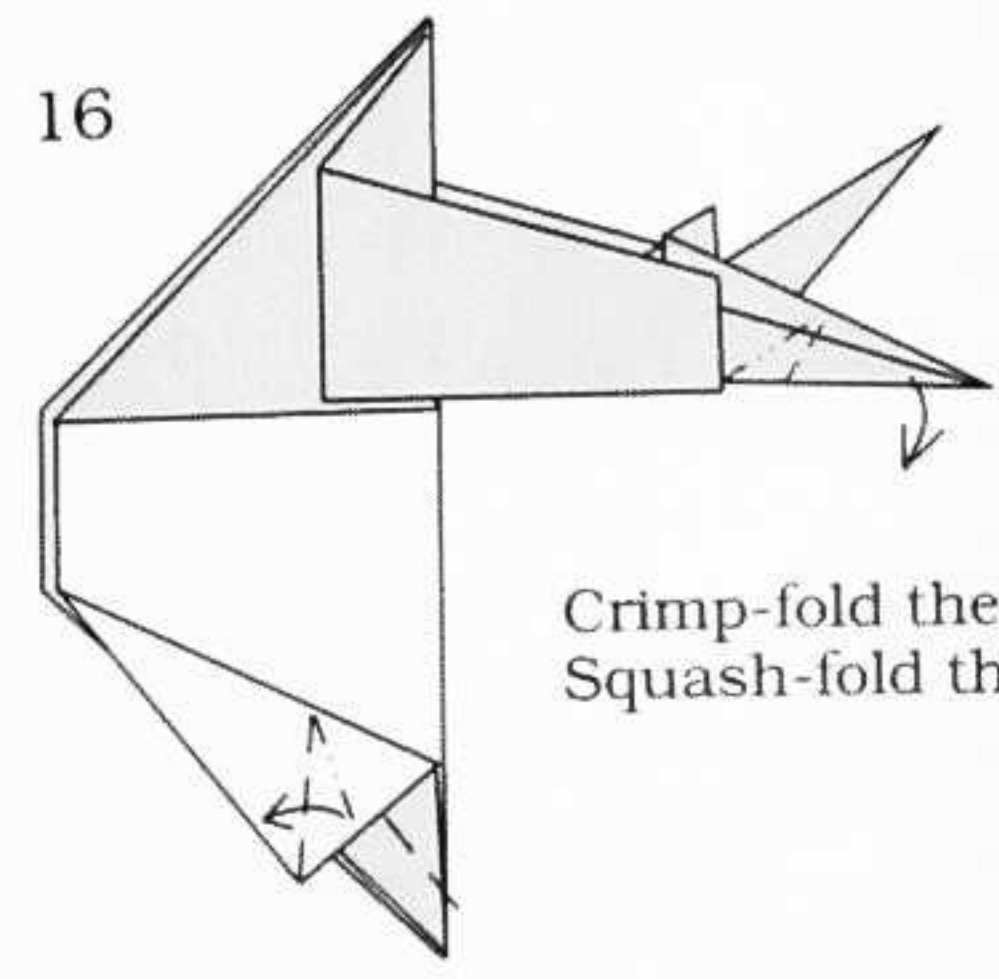




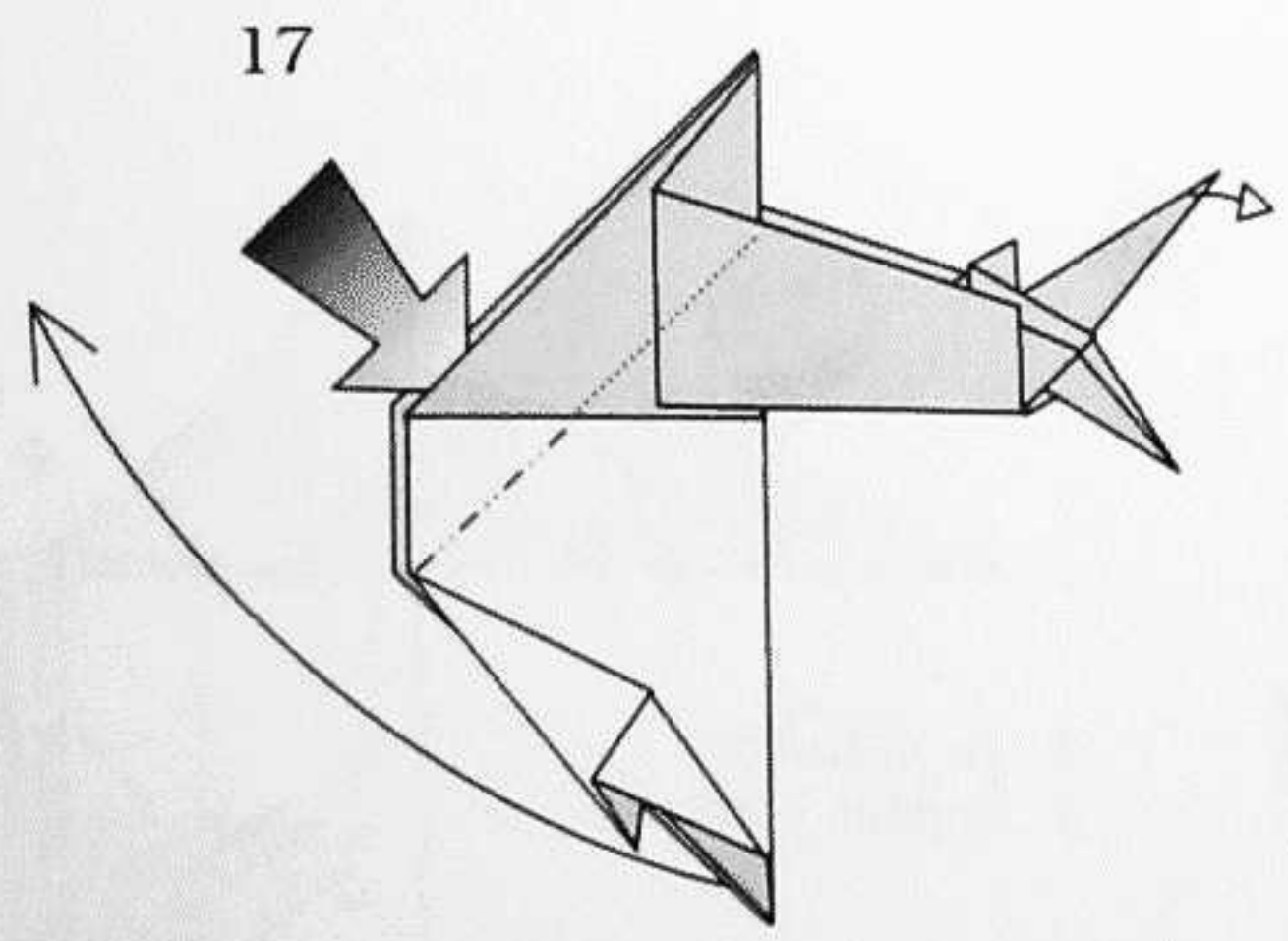
Do not repeat behind.



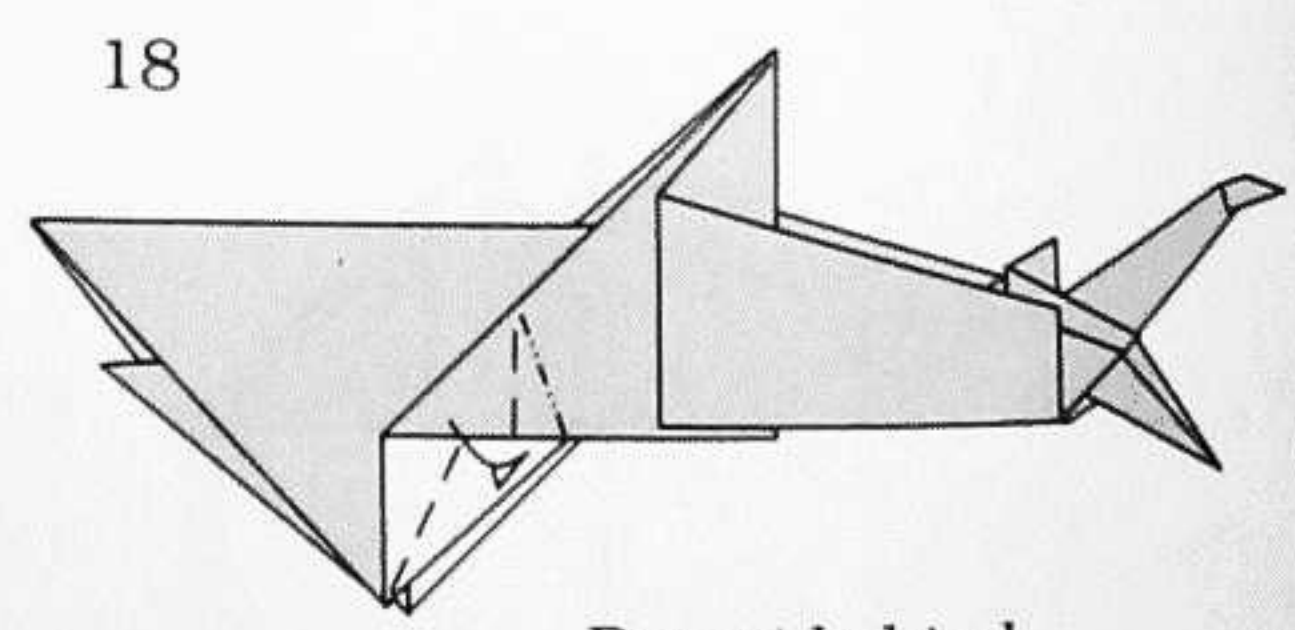
Crimp-fold the tail.



Crimp-fold the tail.  
Squash-fold the mouth.

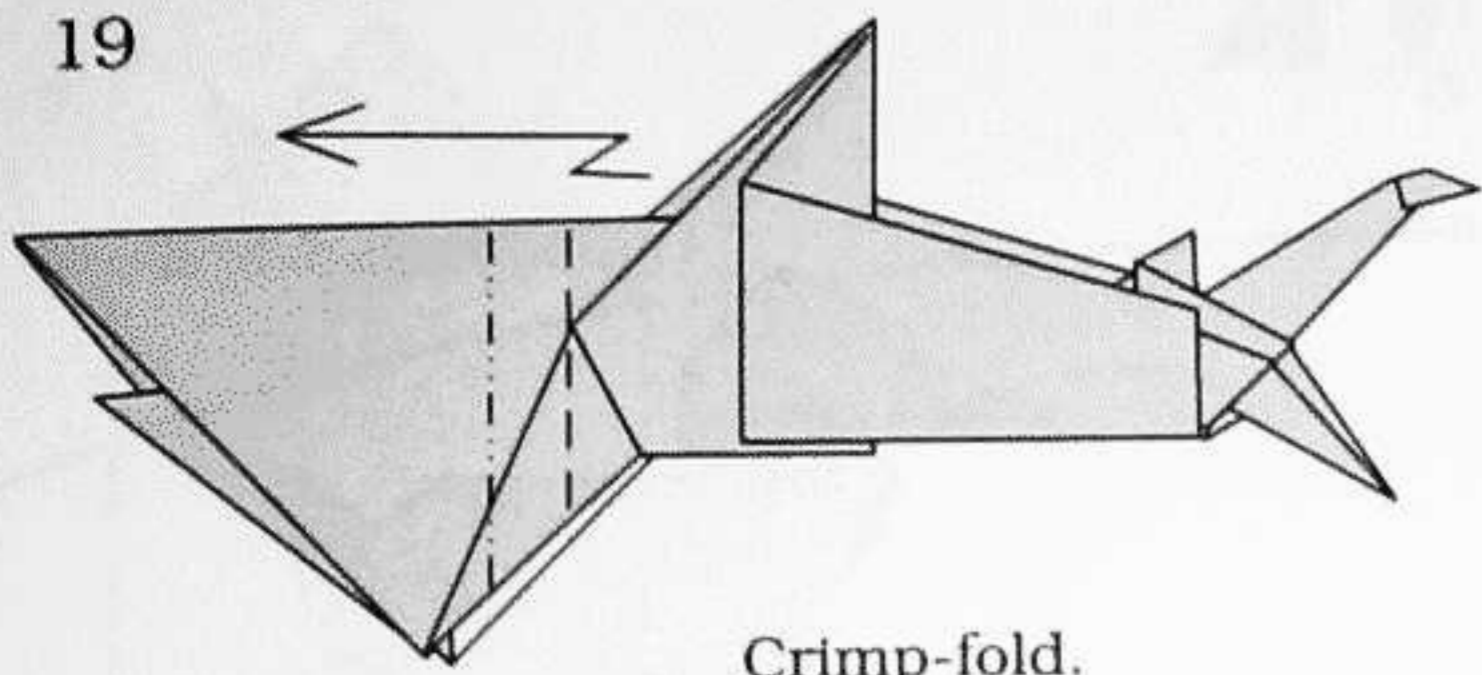


Spread the tip of the tail.  
Reverse-fold at the front.



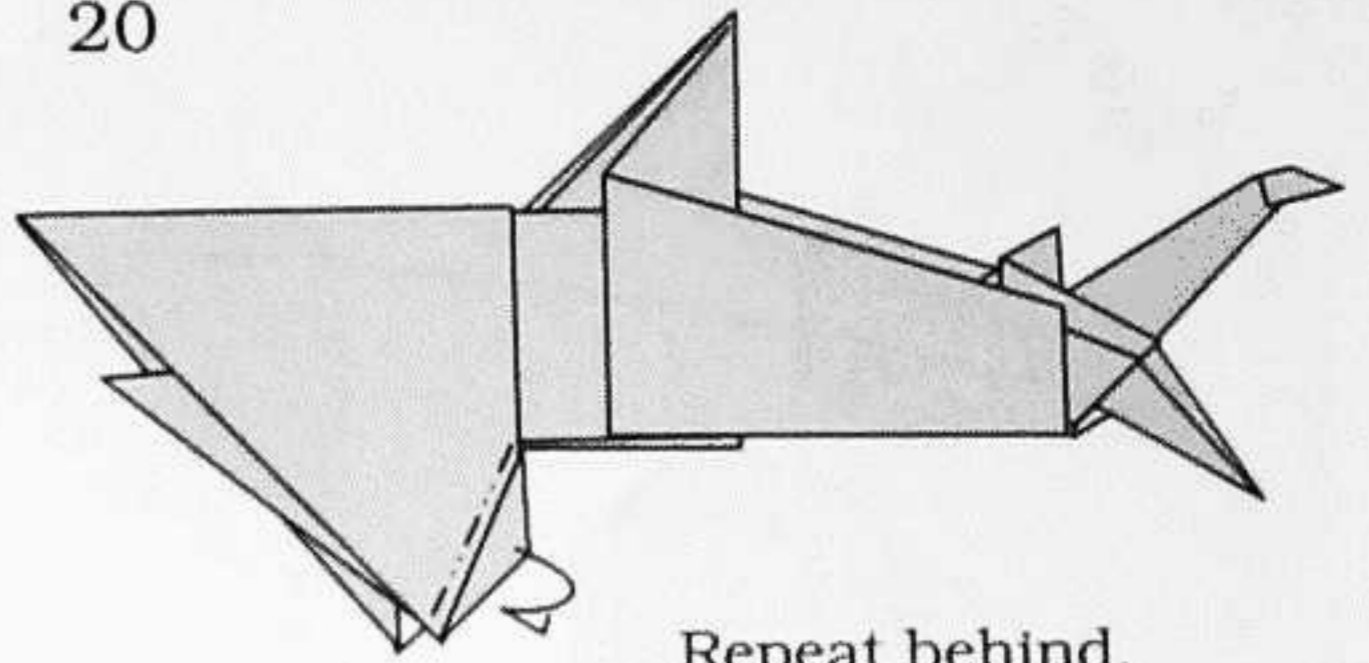
Repeat behind.

19



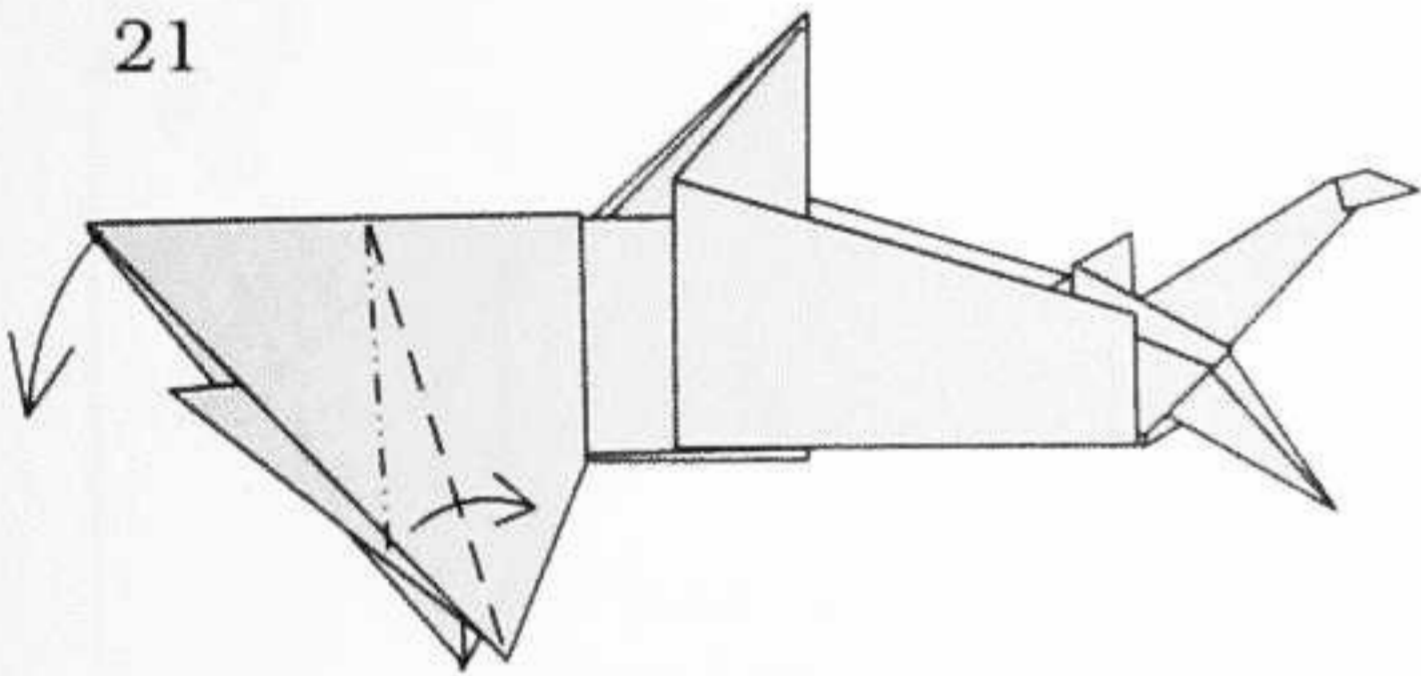
Crimp-fold.

20



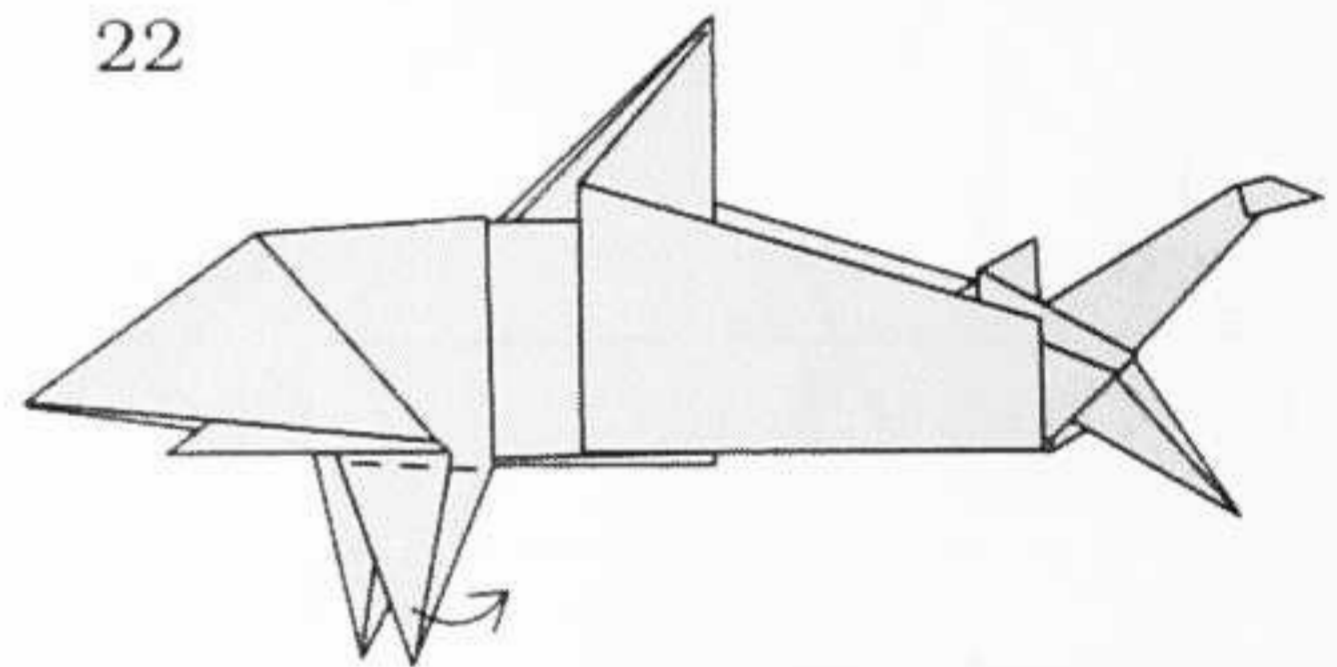
Repeat behind.

21



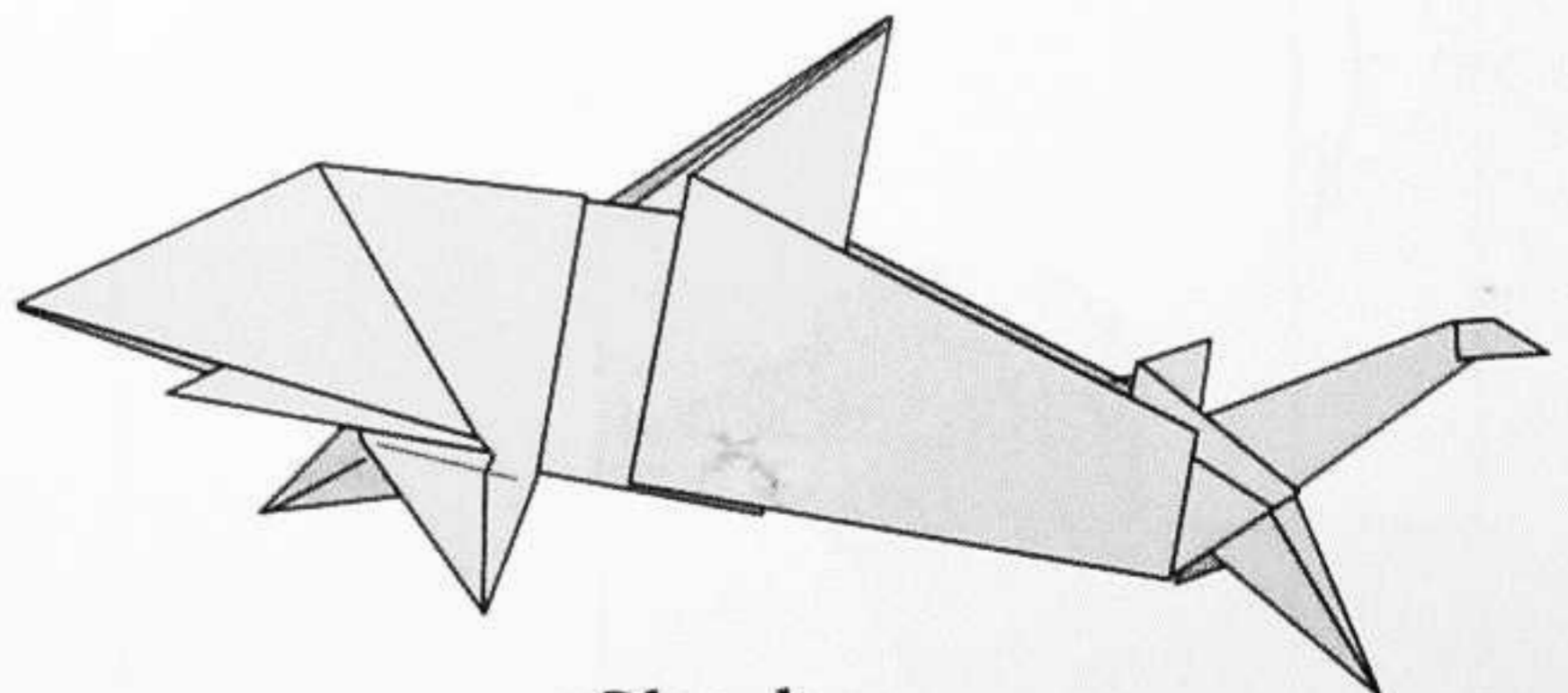
Crimp-fold.

22



Repeat behind.

23



Shark